

Flow cell for Swansensor Shurecon P.

## Flow cell M-Flow PG

Flow cell made of PVC and acrylic glass with one PG 13.5 sensor screw.

Removable transparent vessel allows easy sensor calibration and maintenance.

### Technical data

#### Sample connections

- Inlet and outlet: G ¼" thread
- Equipped with hose nozzle for 10mm tube.

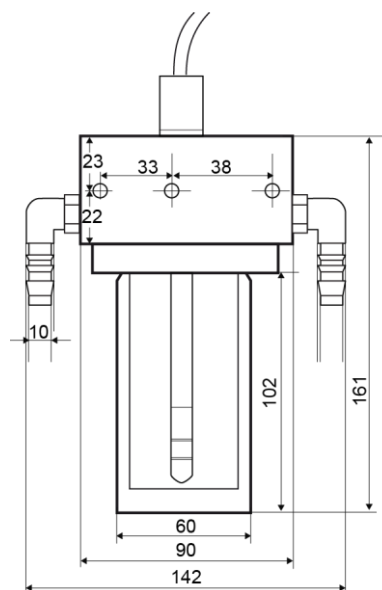
#### Sample conditions

(for the flow cell without sensor!)

- Flow rate: 4 to 15 l/h
- Temperature: up to 50 °C
- Inlet pressure @ 25 °C: up to 1 bar
- Pressure-free outlet (atmospheric drain)
- Particle size: below 0.5 mm
- No strong acids and bases
- No organic solvents

#### Dimensions

- Width: 90 ... 142 mm
- Front-to-back: 105 mm
- Height: 161 mm
- Panel mounting: 3 screws M5



M-Flow PG with Shurecon P sensor (not included).

### Delivery includes:

Flow cell M-Flow PG with two 90° elbow hose nozzle ¼" for 10mm tube at sample in- and outlet. Set of mounting screws.

Order Nr.	M-Flow PG	A-83.437.330
Accessory	[ ] Mounting panel for flow cell made of white PVC. Dimensions (w x h x d): 280 x 200 x 10 mm	A-89.410.110
	[ ] Sensor mounting adapter for Ø 12 mm sensors in PG 13.5 thread	A-83.910.020
	[ ] Swansensor deltaT Flow	A-87.933.010