

Immersion assembly for application in open basins and tanks

Swanfit UNIDIP

The UNIDIP immersion assembly can be used for pH-, ORP-, temperature-, conductivity-, and oxygen sensors.

Depending on the model, the UNIDIP immersion assembly is designed for three sensors with a shaft diameter of 12 mm (Swansensors pH, ORP, temperature, conductivity) or for one OXYSAFE oxygen sensor.

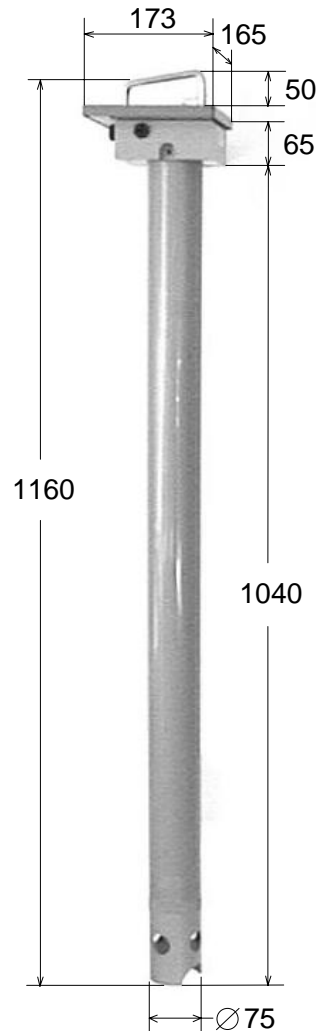
All cables are led out of the fitting by threaded joints, weather-protected.

Technical data:

Material: PVC
Length of submerge: 1000 mm
Extension: 500 and 1000 mm
Operating pressure: unpressurised
Protection: IP 65
Ambient temperature: - 10 + 50 °C
Sensor insert: 3 x PG13.5 (12 mm)
or 1 x 32 mm (oxygen)

Accessories:

- Fixed angle holder or pendulum holder, stainless steel
- Holder for servicing, stainless steel
- Calibration vessel, PVC
- Extension 500 mm
- Extension 1000 mm



(all dimensions in mm)

Order scheme	Swanfit UNIDIP	A-83.151.2	0
Sensor insert:	3 x PG13.5 inserts (1 sensor adapter, 2 blind plugs)		↑ 1
	1 x 32 mm insert for OXYSAFE oxygen sensor		6