

Two-electrode conductivity sensor for the inline measurement of purified water and water for injection of pharmaceutical water.

Swansensor PHARMACON, SAN

For high purity water applications in the pharmaceutical industry. With sanitary flange. Polished surface, no dead volume.

Sensor will be accompanied with following certificates: cell constant, material specification and inspection certificate (according to EN 10204), surface roughness.

Specifications:

Recommended measuring range: 0,055 – 1'000 μ S/cm

Accuracy (at 25°C): > \pm 2 % up to 500 μ S/cm
 \pm 3% above 500 μ S/cm up to 1'000 μ S/cm

Cell constant: 0.1 cm⁻¹

Material:
Shaft & Electrode: SS 316L (1.4435), stainless steel
Isolator: PEEK
Roughness: $R_a < 0.4 \mu$ m

Temperature sensor: Pt1000, accuracy \pm 0.2 °C

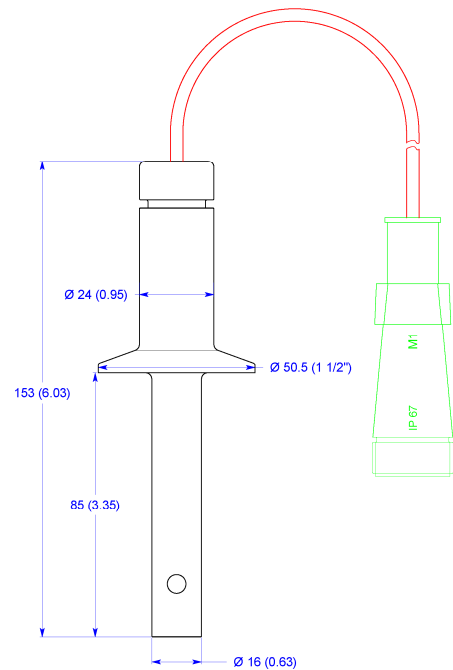
Sensor mounting: sanitary flange 1 1/2"

Operating temperature: -10 - 120 °C
Sterilisation temperature: -10 - 155 °C

Operating pressure: 17 bar at 25°C
max. 7 bar at + 95°C

Length totally: 153 mm
Insertion length: 85 mm

Sensor is equipped with fixed cable (~30cm, PTFE) and an M16 male plug.



Order scheme	Swansensor PHARMACON, SAN	A-87.335.	1	0	0
---------------------	----------------------------------	------------------	----------	----------	----------

Accessories:

- A-88.155.X20 Cable with M16 connector and end sleeves, available in lengths of 1 m, 5 m, 15 m or 25 m
- C-87.329.010 Clamp for sanitary flange (max. 6 bar) incl. welding nipple
- C-87.329.011 Sealing made of PTFE for sanitary flange

