

Flow cell for continuous conductivity measurements in water

Flow cell QV-Flow UP-CON-SL

Flow cell for sensor with SWAN slot-lock adapter, e.g. Swansensor UP-Con1000-SL; with integrated needle valve for sample flow adjustment and digital sample flow meter.

Technical data

Flow cell made of stainless steel SS316L.

Insert for sensor with patented SWAN slot-lock adapter for quick sensor release.

Sample conditions

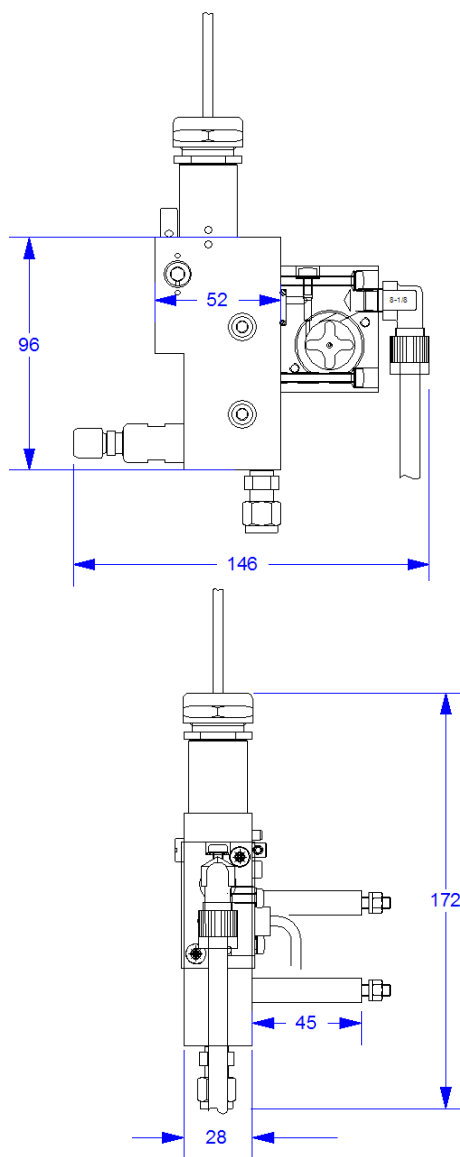
- Temperature: up to +60 °C
- Inlet pressure: max. 2 bar at +60 °C
- Outlet pressure: ambient pressure
- Flow: 3 to 25 L/h

Process connections

- Inlet: ¼" Swagelok tube adapter (SS)
- Outlet: 6 mm Serto tube adapter (PVDF)

Electrical connection

- Flow sensor: cable with end sleeves
- Suitable transmitters: AMI Powercon
AMU Powercon



Order scheme	Flow cell QV-Flow UP-CON-SL	A – 83 . 434 . 15	X
Flow sensor cable length:	Cable 1 m		1
	Cable 5 m		5
	Cable 15 m		7

Delivery: Flow cell with mounting parts (M5 screws and distance sleeves) for panel mounting.