

Sensor for the measurement of the specific conductivity. Four electrode design with platinum electrodes and built-in Pt1000 temperature sensor.

Swansensor Shurecon P

For applications in surface water, potable water and cooling water. Unaffected by fouling. No measuring errors due to polarization effects. Insertion depth only 30 mm.

Sensor with directly attached cable. For the use together with the SWAN conductivity transmitters AMI Solicon4 and AMU Solicon4.

Specifications:

Recommended conductivity range:
0.1 µS/cm to 100 mS/cm

Accuracy: ± 1.5% or ± 0.2 µS/cm whichever is greater

Cell constant k: ~0.4 cm⁻¹

Temperature sensor type:
Pt1000, DIN class A

- Operating conditions:
- Normal operating temperature: ≤ 50°C
 - Max. temperature short-time: 90°C at ambient pressure
 - Max. pressure: 10 bar at 25°C

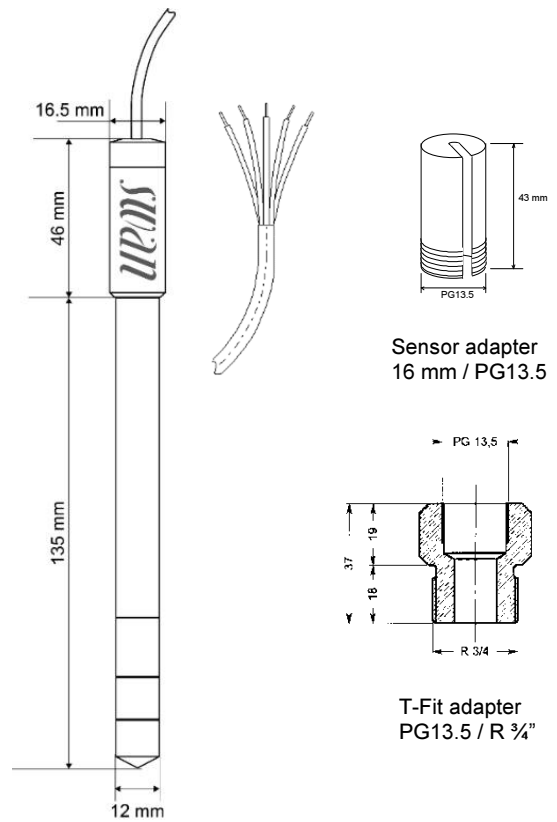
- Materials:
- Shaft and tip: PVDF
 - Electrodes: Platinum

Protection class: IP 68

Process connection:
On Ø16 mm sensor head or Ø12 mm shaft

Electrical connection:
Sensor with integrated cable with end sleeves.

Delivery:
Sensor with mounting adapter 16 mm / PG13.5



Swansensor Shurecon P with cable

Order scheme	Swansensor Shurecon P	A - 8 7 . 3 4 2 . 1	0
---------------------	------------------------------	----------------------------	----------

Sensor cable length:	Integrated cable 1 m	1
	Integrated cable 5 m	5
	Integrated cable 15 m	7

Accessories:	
A-83.910.020	Sensor adapter 16 mm / PG13.5 to mount Swansensor Shurecon P into PG13.5 thread (The same as included in the standard sensor delivery as a replacement part)
A-83.910.080	T-Fit adapter PG13.5 / R 3/4" to mount PG13.5 sensor into R 3/4" thread
A-83.437.330	Flow cell M-flow PG (see separate data sheet no. DenA83437330)