

Flow cell for Swansensor Shurecon S.

### Flow cell M-Flow G1

Flow cell made of PVC and acrylic glass with one G 1" sensor opening.

Removable transparent vessel allows easy sensor calibration and maintenance.

#### Technical data

##### Sample connections

- Inlet and outlet: G 1/4" thread  
Equipped with hose nozzle for 10mm tube.

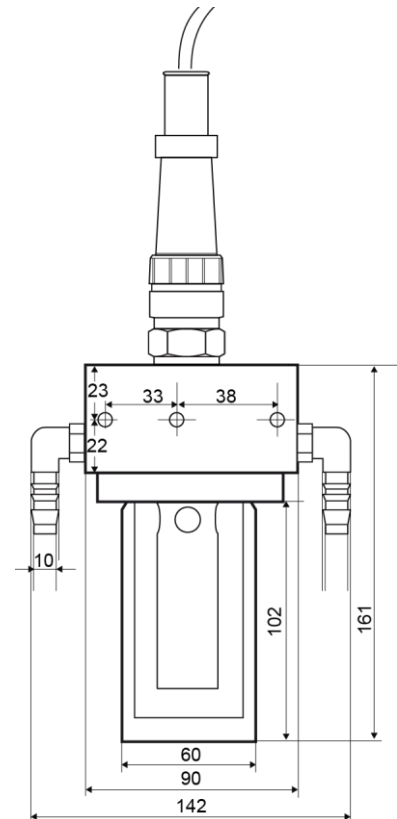
##### Sample conditions

(for the flow cell without sensor!)

- Flow rate: 4 to 15 l/h
- Temperature: up to 50 °C
- Inlet pressure @ 25 °C: up to 1 bar
- Pressure-free outlet (atmospheric drain)
- Particle size: below 0.5 mm
- No strong acids and bases
- No organic solvents

##### Dimensions

- Width: 90 ... 142 mm
- Front-to-back: 105 mm
- Height: 161 mm
- Panel mounting: 3 screws M5



M-Flow G1 Swansensor Shurecon S (not included).

#### Delivery includes:

Flow cell M-Flow G1 with two 90° elbow hose nozzle 1/4" for 10mm tube at sample in- and outlet. Set of mounting screws.

Order Nr.	M-Flow G1	A-83.438.330
Accessory	[ ] Mounting panel for flow cell made of white PVC. Dimensions (w x h x d): 280 x 200 x 10 mm	A-89.410.110
	[ ] Swansensor deltaT Flow	A-87.933.010