

Flow cell for the connection to tubes

B-flow L 70

Flow cell to connect to tubes for one sensor with 3/4" NPT thread, fitting length 40 mm.

Made of stainless steel (SS316L).

Technical data:

Flow cell made of stainless steel SS316L.

1 insert for one sensor with 3/4" NPT thread, max. length 40 mm.

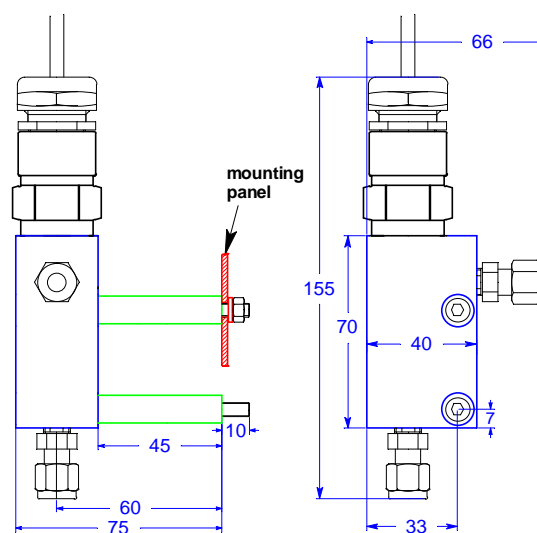
Operating temperature: -10 +130 °C

Pressure: max. 10 bar at +130 °C

Connection: 2x female thread 1/8 ISO

Length: without Swagelok: 70 mm
with sensor (with cable): ca. 155 mm

Width without Swagelok: 40 mm
Front-to-back size (mounted): 75 mm



(Swagelok fittings must be ordered separately)

Delivery:

Stainless steel flow cell B-flow L 70. Process connection: 2x female thread 1/8 ISO.

Mounting kit.

(Swagelok fittings must be ordered separately).

Order number	B-flow L 70	A-83.228.123
---------------------	--------------------	---------------------

Accessories:

C-86.530.060 Swagelok fitting ISO 1/8 female → tube 1/4" (SS-400-1-2RT)