

Reference electrode for Swansensor pH FL
or Swansensor Redox FL and ISE-electrodes

Swansensor Reference FL

Electrode in mechanically and chemically inert plastic case (IP68).

Poisoning protected Ag/AgCl-reference system.

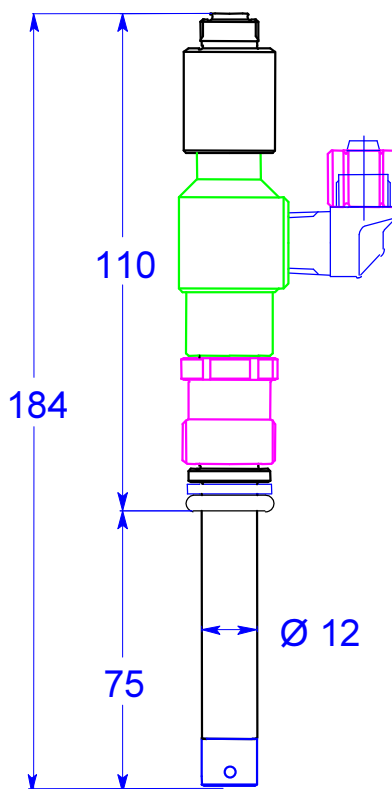
Clogging of the reference system by insoluble silver compounds is eliminated by a AgCl-free electrolyte.

For use with:

- Swansensor pH FL or -Redox FL and the transmitter AMI pH/Redox
- Swansensor Nitrate, -Ammonium or -Fluorid and the transmitter AMI ISE Universal

Technical data :

Reference system:	Ag/AgCl
Electrolyte:	KCl-solution, 3,5 M (without AgCl)
Diaphragm:	annular gap
Operating temperature:	0 50 °C
Pressure:	pressure-free
Min. conductivity:	0.055 µS/cm
Flow speed:	5 to 10 l/h
Case material:	PETP
Connection:	plug PG 13,5



SWAN Analytical Instruments AG warrants this SWANSENSOR to be free from all defects for one year from the date of purchase.

Order number	Swansensor Reference FL	A-87.860.100
---------------------	--------------------------------	---------------------

Accessories:

A-87.893.500	Filling solution (KCl 3,5M) 200ml
A-87.893.600	Filling solution (KCl 3,5M) 500ml