

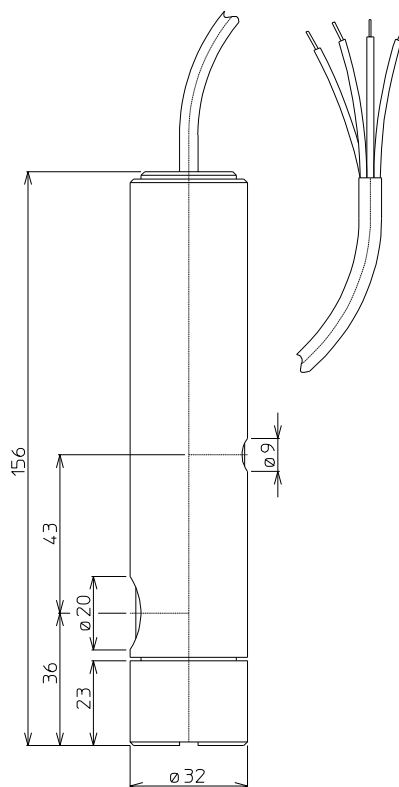
Sensor for the measurement of dissolved oxygen in water treatment technology

Swansensor OXYSAFE 1000

Precise oxygen measuring cell with integrated temperature measuring (Pt1000).
Easy calibration, excellent life time (up to 2 years of operation between refilling in activated sludge tank).
Easy and fast exchange of diaphragm and electrolyte.
No exposed metallic surfaces, no corrosion in saline measuring media.
High electric reliability. No integrated electronics.

Technical data:

Clark oxygen sensor
Cathode gold, anode silver
Zero current-free electrode system
Measuring range: 0 – 20.0 ppm O₂ (15 °C)
or 0 - 200% saturation
Accuracy:
0.3 % if calibration temperature = measuring temperature
1.5 % at ± 10 °C deviation to calibration temperature
Max. pressure: 3 bar (42 psi)
Operating temperature: max. 50 °C
Material: polyacetal copolymer
Protection: IP 68
Weight: 350 g
Robust 50 µm (2 mil) fluoropolymer diaphragm
Response time: t₉₀ < 180 seconds
Minimal flow: 0.5 cm/s



Delivery includes:

Sensor with cable (sleeves), 1 diaphragm and 50 ml electrolyte.

Order scheme	Swansensor Oxysafe	A-87.232.0	1
Cable length:	1 m		1
	5 m		5
	15 m		7

Accessories:

A-87.290.020 Sensor tip Oxysafe
A-87.239.010 Replacement set for Swansensor Oxysafe (50 ml filling solution, 2 spare membranes and O-ring)
A-87.290.040 Replacement set for Swansensor Oxysafe (3 pressure compensation membranes)