

Calorimetric flow meter based on heat dissipation.

Swansensor deltaT

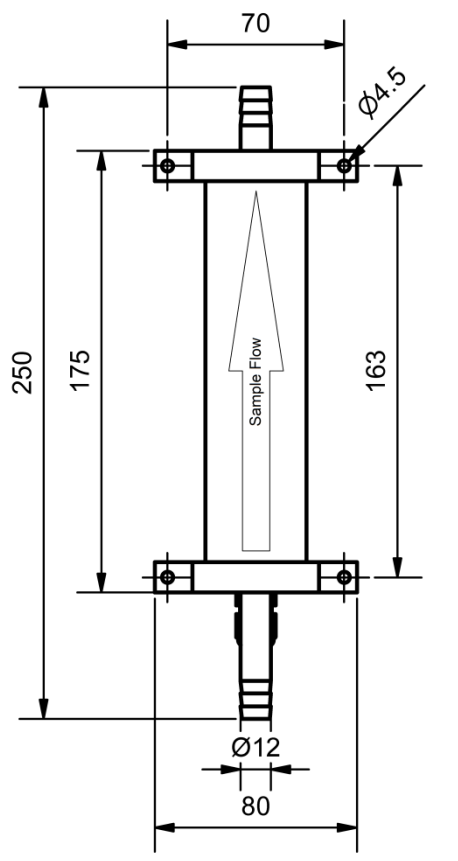
For applications in potable water, surface water treatment and effluent.

- Based on heat dissipation for flow indication.
- Sensor including stainless steel tube (1.4404), heating module and two temperature sensors.
- Free flow through tube with \varnothing 10mm inner diameter.
- Easy cleaning if necessary (simple tube). No fouling.
- Sensor assembled with fixed cable (1m length) and core end sleeves.
- Factory calibrated (Accuracy: \pm 20%). Can be calibrated in the field if higher accuracy is required.

For use with:

- AMI pH-Redox* & AMI pH/mV:pH/mV
- AMI Solicon4*
- AMI Oxysafe*
- AMI Turbiwell 7027* and Turbiwell W/LED*
- AMI ISE Universal

* see requirement regarding firmware and main-board.



Specifications:

Measuring range / Flow rate:	0 - 40 l/h
Accuracy:	\pm 20%
Response time t_{90} :	~1min
Dimensions (W x L x H):	80 x 250 x 60mm
Material (wetted):	stainless steel; 1.4404
Sample temperature:	5 - 35 °C
Sample pressure:	accord. specs. of Analyzer
Sample In-/Outlet:	For tubing \varnothing 10 - 11 mm

Requirement:

- Vertical installation with cable plug at the bottom and the sample flow from bottom to top.
- To ensure laminar flow sample inlet must not be restricted; e.g. any fitting which creates turbulences.
- AMI Mainboard: V2.3 or higher
- Firmware: AMI Turbiwell V4.61, AMI pH-Redox V5.0, AMI Solicon4 V4.70, AMI Oxysafe V5.0, or higher.

Order Nr.	Swansensor deltaT	A-87.933.010
------------------	--------------------------	---------------------